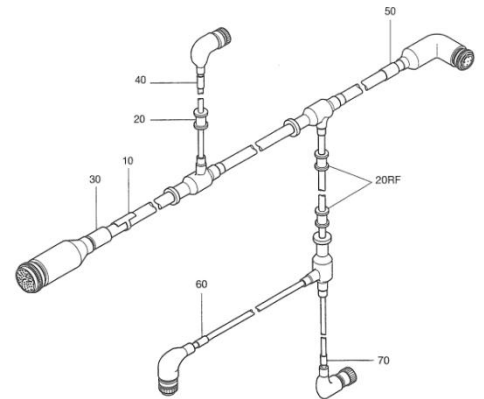
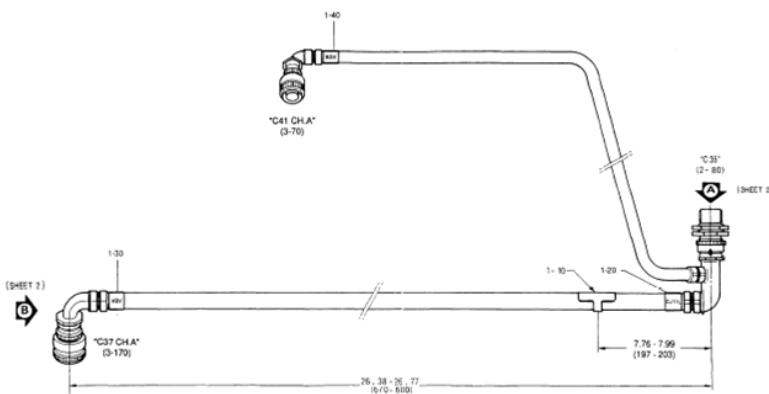




« Your reliable aircraft component MRO »



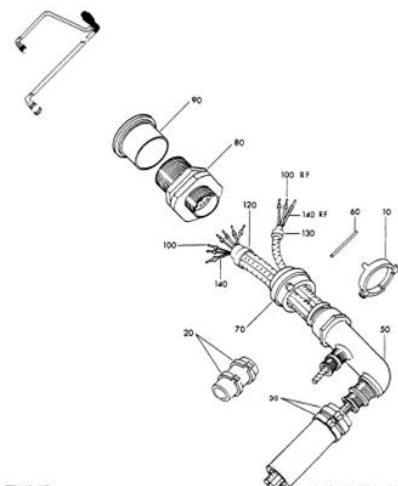
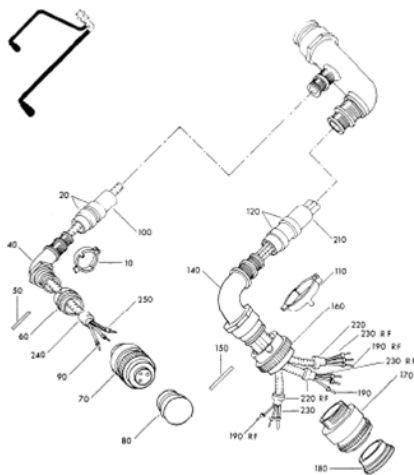
REPAIR and OVERHAUL CAPABILITIES for ENGINE ELECTRICAL HARNESSSES



GE 90

**New Capability
Engine Electrical Harnesses**

CFM 56



TAT : 15 days - Attractive Flat Rate or Time & Material available

Repairs under FAA, EASA certifications

For more information, please contact your Sales Representative at:

+33 (0)5 62 07 50 60

Z.A. du Roulage - 125, avenue du Roulage - 32600 PUJAUDRAN - FRANCE
Tél. : + 33 (0)5 62 07 50 60 - Fax : + 33 (0)5 62 07 50 70 - www.airsupport-mro.com
S.A.S. au capital de 590 128 € - RCS AUCH 387 708 621 - APE 3316Z - N° INTC FR 39 387 708 621