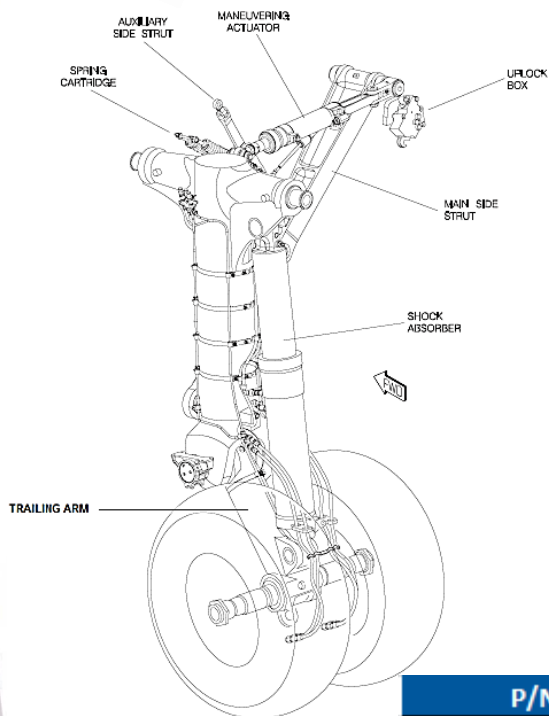




REPAIR and OVERHAUL CAPABILITIES for ERJ 145 LANDING GEAR



TAT: 30-60 days

**Attractive
Flat Rate or Time & Material
available.**

**Repairs under FAA, EASA
certifications**

P/N	DESIGNATION	ATA
2225-0100-xxx	Valve	32-33-02
2309-2800-xxx	Actuator	32-33-09
2309-2032-xxx	Axle	32-10-01
2309-3032-xxx		
2309-2002	MLG Landing Gear LH / RH	32-10-01
2309-3002		
2309-3100		
2309-4002		
2309-2500	Main Side Strut Assy	32-10-03
2309-2600	Secondary Side Strut Assy	32-10-04
2309-2700-xxx	MLG Maneuvering Hydraulic Actuator	32-33-08
2309-3700-xxx		
2309-2900-xxx	Uplock Box	32-33-10
2309-2005-xxx	Shock Absorber	32-10-02
2309-3037-xxx	Trailing Arm Assy	32-10-01
2309-4037-xxx		
2309-3002-xxx	Leg Structure Assy	32-10-01
2309-3100-xxx		

For more information, please contact your Sales Representative at:

+33 (0)5 62 07 50 60